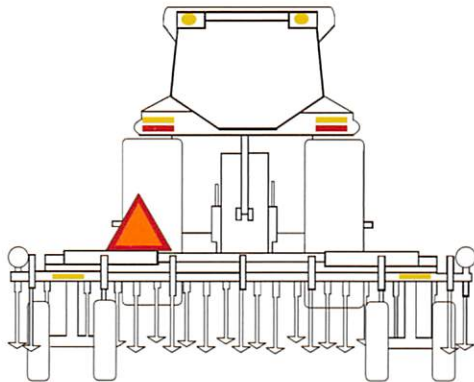


# Agricultural Regulation – ASAE S276.7, ASAE S279.15

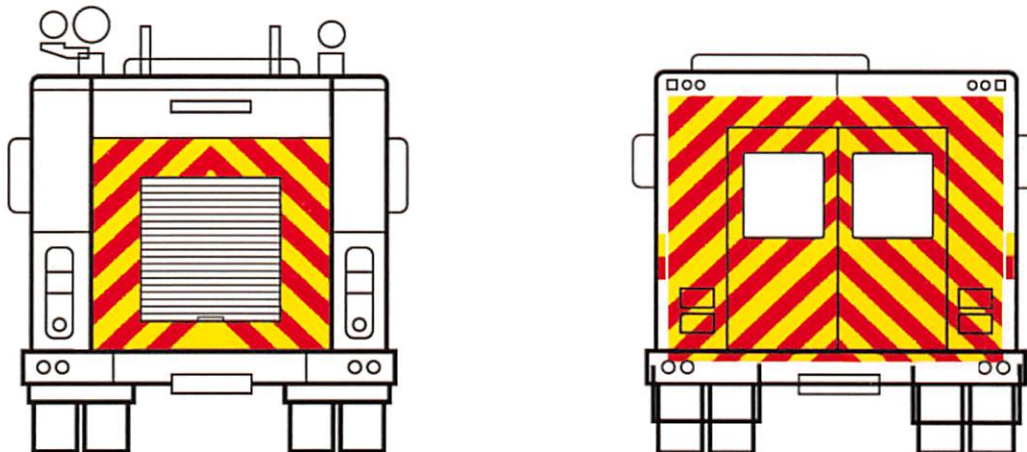
Retroreflective sheeting shall meet requirements of ASTM D4956 for type V sheeting except for the photometric requirements. Retroreflective sheeting shall meet the minimum photometric performance requirements specified in the spec. ASAE S276.7 and ASAE S279.15.



**Application locations:**

1. 2" x 9" Red retroreflective strip
2. Red 2" retroreflective strips surround the perimeter of the SMV triangle

# Fire Apparatus Regulation – NFPA 1901



**Benefits of application:**

1. Enhances the visibility of emergency response vehicles that work in or near moving traffic
2. Commands the attention of the motoring public more than horizontal stripes
3. The chevron pattern is an inverted "V", in compliance with the MUTCD (Manual On Uniform Traffic Control Devices)
4. More effectively warns oncoming motorists allowing more reaction time to maneuver