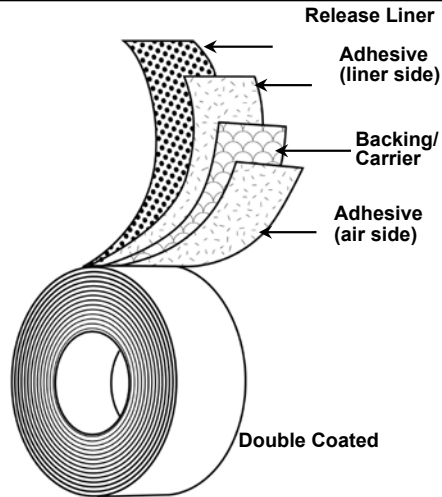


Tissue Supported Double-Sided tape



Carrier: Tissue
Adhesive: Synthetic Rubber
Liner: 42# SC Kraft with Finger-Lift Edge™

Product Constructions Available

Number	TW	TL	AW	Number	TW	TL	AW
7308	0.5"	216'	0.25"	0321	0.5"	2000'	0.25"
7309	0.75"	216'	0.5"	0322	0.75"	2000'	0.5"
7310L	1"	216'	0.75"	0317	1"	2000'	0.75"
7311	0.5"	1300'	0.25"	7344	0.75"	3000'	0.5"
7312	0.75"	1300'	0.5"	7349	0.75"	4500'	0.5"
7316	1"	1300'	0.75"	7350	1"	4500'	0.75"
7327	1.5"	1300'	1.25"	7964A	0.5"	1320'	0.375"
7359	2"	1300'	1.75"	0822A	0.75"	1320'	0.5"
7801	0.75"	1500'	0.5"	0823A	1"	1320'	0.75"

Applications

- Mounting heavy posters and signs
- Promotional displays
- Inventory tags
- Business forms
- Mounting name plates and decals
- Permanent poly bag sealing
- Board envelope and box fabrication
- Packaging and box closure

Features

- Synthetic Rubber Adhesive
- Tissue Carrier
- Finger-lift Edge Liner

Benefits

- Exceptional holding strength
- Superior performance on heavier weight papers and light board stocks
- Provides support and conformability
- Easy to start, easy to use
- Liner removes clean and smooth

Physical Properties

	Standard UOM	Metric UOM	Test Method
Tape Thickness (w/o liner)	3.7 mils	0.094 mm	PSTC 133
Liner Thickness	2.6 mils	0.066 mm	PSTC 133
Overall Thickness	6.3 mils	0.160 mm	PSTC 133
Adhesion to Steel (Air Side)	70 oz/in	7.66 N/cm	PSTC 101 Mod
Adhesion to Steel (Liner Side)	85 oz/in	9.30 N/cm	PSTC 101 Mod
Application Temperature Range	40°F to 105°F	4°C to 41°C	
Operating Temperature Range	-20°F to 160°F	-29°C to 71°C	

Recommended Storage Conditions: 40-60% Humidity, 60°F-80°F

Standard Shelf Life: 12 month from date of shipment assuming recommended storage conditions

The information presented herein was prepared at BERRY PLASTICS CORPORATION (25 Forge Parkway Franklin, MA 02038) by qualified technical personnel. To Berry Plastics' knowledge it is true and accurate. However, the information and recommendations are furnished for these products with the understanding that the purchaser or user, as the case may be, will independently determine that the product is suitable for the intended use, and that such use complies with all applicable federal, state and local laws and regulations. The data are submitted only for the user's information and consideration, and do not constitute a warranty of any kind (including but not limited to a warranty of merchantability or of fitness for a particular purpose), or a representation for which BERRY PLASTICS assumes any legal responsibility.